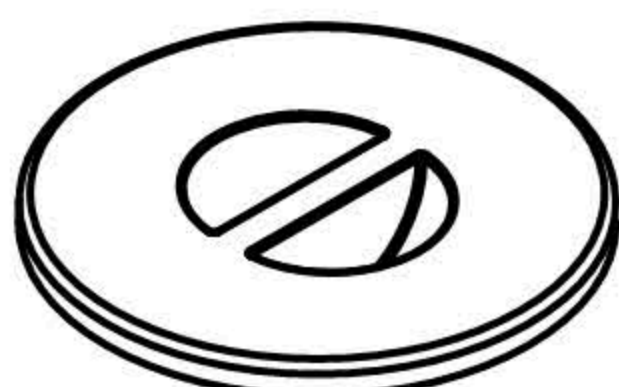


# ROCKET FAUSTINO

110V/60Hz  
 220V/60Hz  
 220-230V/50Hz  
 230-240V/50Hz

5700.1000M **1**

5500.0050 **2**

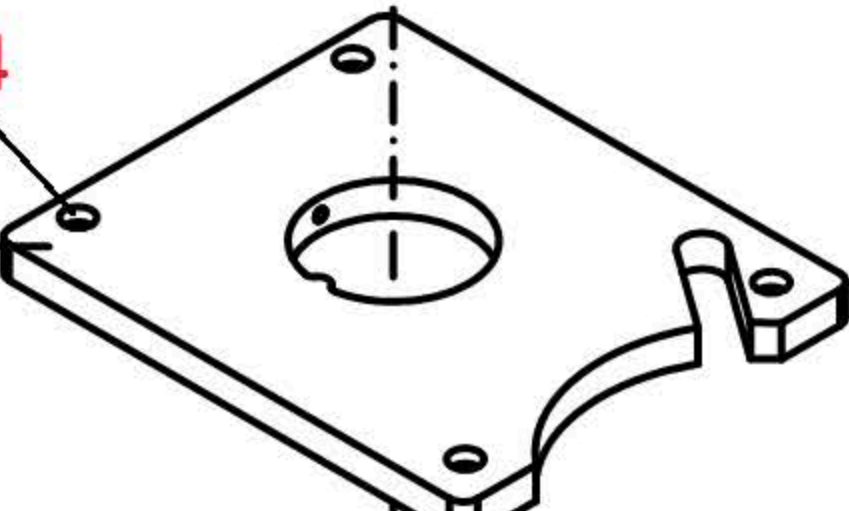


5101.0025 **3**



**24**

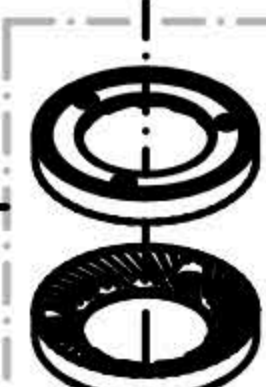
5700.0003-ANB **4**



2311.0035 **5**



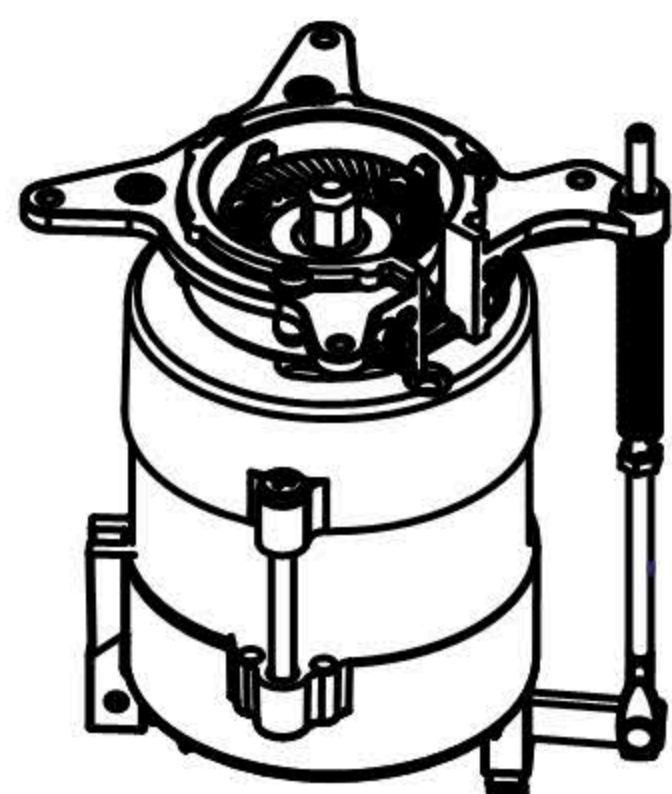
**6** MAC50FCP



E78-002RNERO/BLACK)  
 E78-051RCROMO/CHROME)

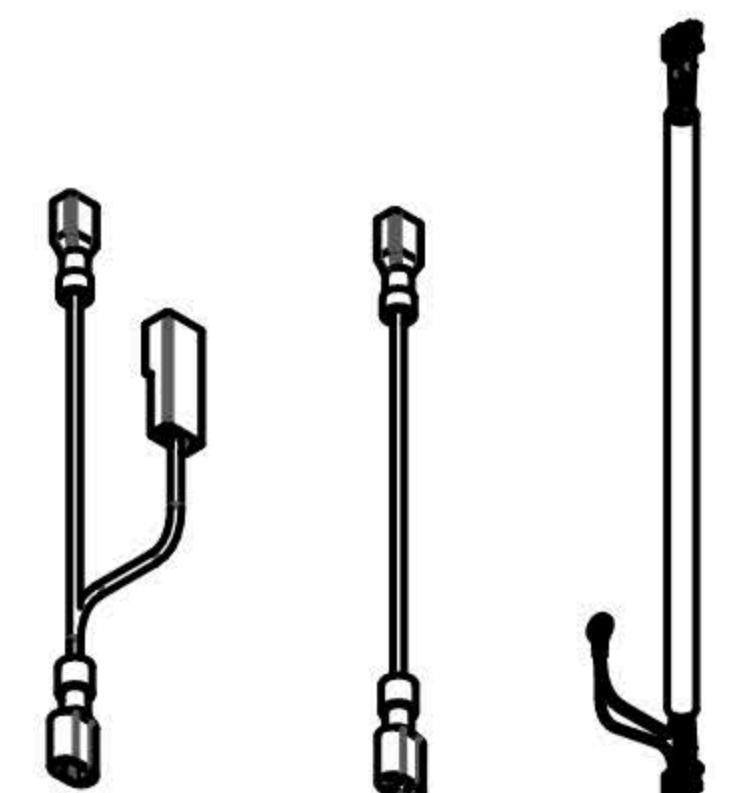


5700.0220KIT-50 R220V) **29/30**  
 5700.0110KIT-50R110V)



5700.0100KIT  
 CAVI ALIMENTAZIONE  
 POWER SOURCE CABLES KIT

**23**

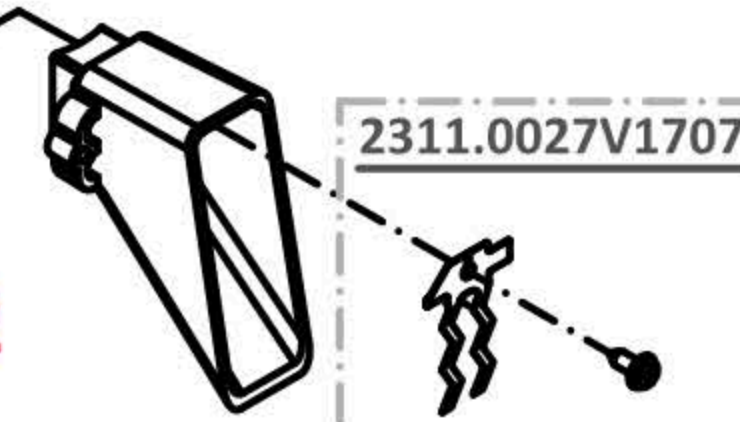


CAV8 CAV79 CAV84

5700.0200KIT  
 KIT MONTAGGIO  
 FASTENING KIT

- 6060.0171
- 6060.0174
- 6060.0098 **25**
- 6060.0010 **26**
- 6060.0025
- 6060.0074
- 6060.0046
- 6060.0056
- 6060.0139
- 6040.0100

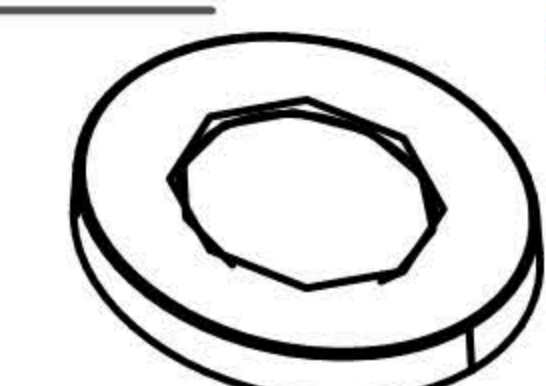
**22**



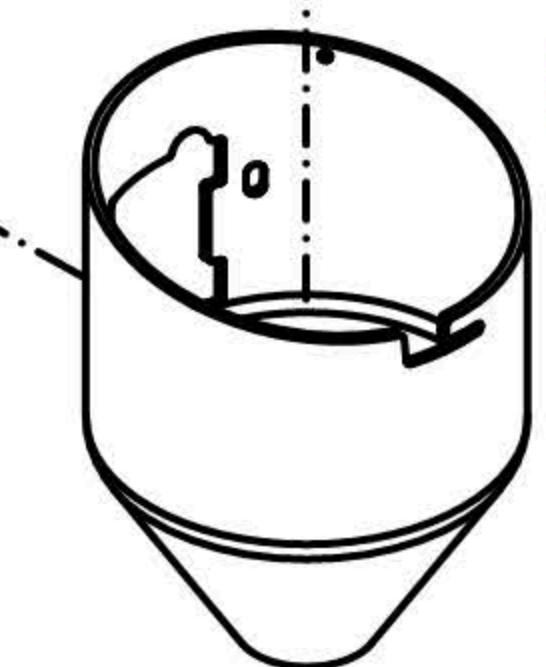
4125700.3000

4125700.1000+IMBUTO **9**

4125700.1000



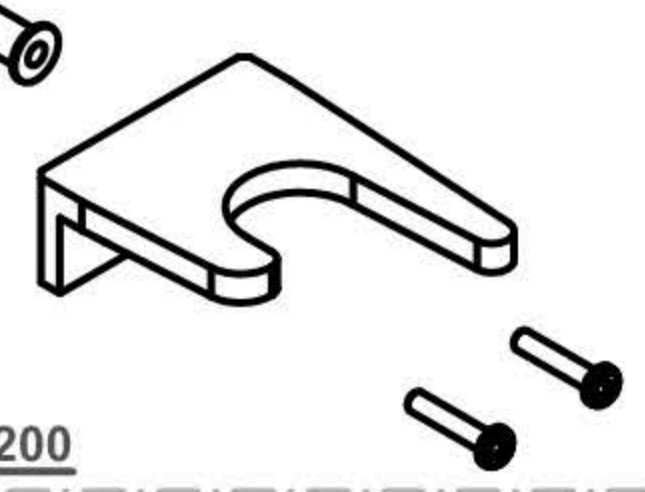
**32**



**31**

5700.0025-ANB

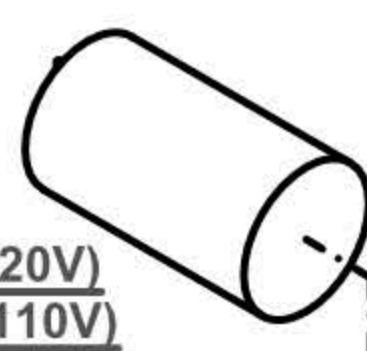
**11**



5700.5200

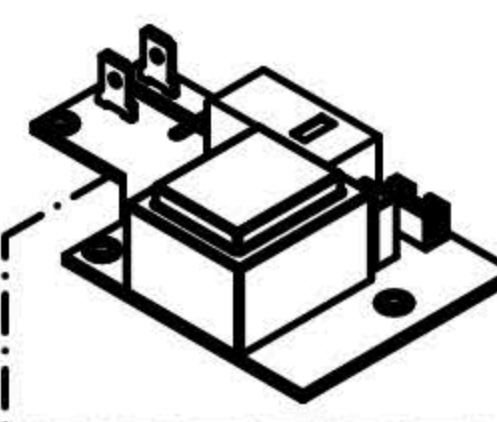
**13/14**

1013.0008-WMR8µF(R220V)  
 1013.0020-WMR20µF(110V)



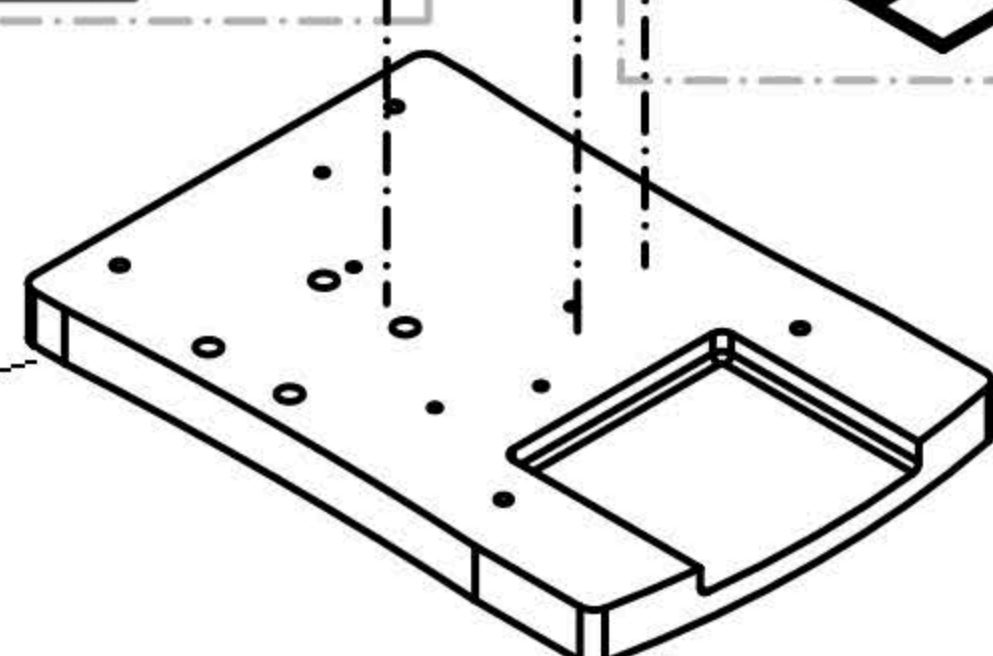
**27/28**

5700.0220PR220V)  
 5700.0110PR110V)



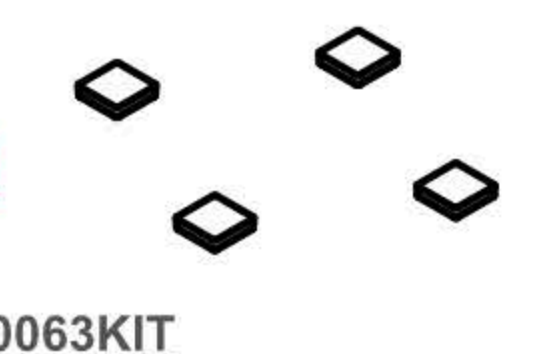
**15/16**

7018.0000R220V)  
 7017.0000R110V)

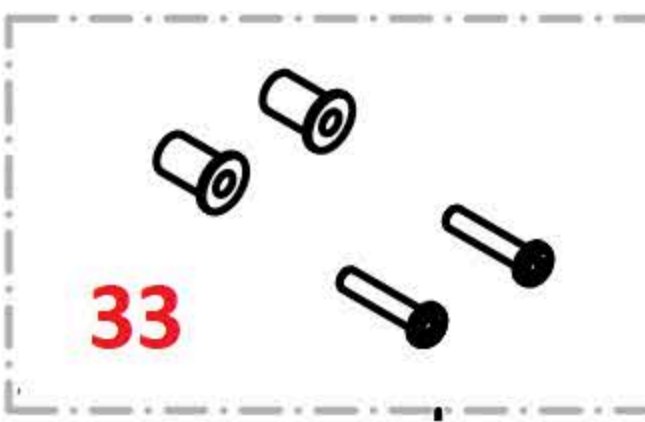


**12**

6040.0063KIT



**33**



Numero	Codice	Descrizione	Description	Codice Fornitore
1	R8G3996886	CAMPANA COMPLETA faustino	BEAN HOPPER faustino (300 G)	5700.1000M
2	R8G3995939	COPERCHIO CAMPANA FAUSTO/faustino	COPPER COVER FAUSTO/faustino	5500.0050
3	R8G3996887	SPORTELLINO CAMPANA NYLON faustino	NYLON HOPPER FLAP faustino	5101.0025
4	R0G5B96888	COPERCHIO SUPERIORE faustino	ANODIZE COVER faustino	5700.0003-ANB
5	R8G4996889	GUARNIZIONE CAMPANA faustino	BEAN HOPPER SEAL faustino	2311.0035
6	R8G0996891	COPPIA MACINE PIANE faustino	faustino FLAT BURR SET 50 mm	MAC50CP
7	R8G9996892	POMELLO faustino COMPLETO DI ETICHETTE	faustino KNOB WITH TAGS	E79+5700.0004-ANB+E181
8	R1G9906893	INTERRUTTORE faustino BLU	SWITCH faustino	1011.0029-BLU
9	R8G9996894	IMBUTO E DISPLAY faustino COMPLETO	FUNNEL KIT DISPLAY faustino	4125700.1000+5700.0025-ANB
10	R8G9996895	SUPPORTO IMBUTO faustino	FUNNEL SUPPORT faustino	5700.0034
11	R8G9996896	FORCELLA faustino + VITI	FORK KIT faustino	5700.5200
12	R8G4996897	KIT PIEDI faustino	PLASTIC BASE FEET faustino	6040.0063KIT
13	R1G9906898	CONDENSATORE 8 µF (220V) faustino	CAPACITOR 220V faustino	1013.0008-WM
14	R1G9906899	CONDENSATORE 20 µf (110V) faustino	CAPACITOR 110V faustino	1013.0020-WM
15	R1G9906900	BASE faustino 220V	BASE GROUP 220V faustino	7018.0000
16	R1G9906901	BASE faustino 110V	BASE GROUP 110V faustino	7017.0000
	R0G1996902	CORPO INOX faustino	STAINLESS STEEL BODY faustino	
	R0G1996903	CORPO INOX FORATA faustino	HOLED STAINLESS STEEL BODY faustino	
	R0G1996904	CORPO NERA faustino	BLACK STAINLESS STEEL BODY faustino	
	R639906705	LASTRA DECORATIVA BIANCA faustino	WHITE SIDE PANEL faustino	
	R679906706	LASTRA DECORATIVA RAMATA faustino	COPPER SIDE PANEL faustino	
22	R8G9906905	GRUPPO SCIVOLO CAFFE faustino	COFFEE EXIT SLIDE GROUP faustino	4125700.3000+6060.0056
23	R1G9906906	KIT CAVI FAUSTINO	CABLE KIT faustino	5700.0100KIT
24	M319904829	VITE BRUGOLA M4X10 INOX UNI 5931 PER COPERCHIO ANODIZZATO	ANODIZE COVER SCREWS faustino	
25	R319906908	VITE POSTERIORE COPERCHIO ANODIZZATO faustino 1 PZ	ANODIZE COVER REAR SCREW (1 PCS)	6060.0098
26	R319906909	VITI PER FISSAGGIO MACINE SUPERIORI	SCREWS FOR GRINDER ( 3PCS)	6060.0001
27	R199906944	SCHEDA ALIMENTAZIONE faustino 220V	POWER SUPPLY BOARD 220V	5700.0220
28	R199906945	SCHEDA ALIMENTAZIONE faustino 110V	POWER SUPPLY BOARD 110V	5700.0110
29	R199906940	MOTORE faustino 220V	ENGINE GROUP 220V	5700.0220KIT-50
30	R199906941	MOTORE faustino 110V	ENGINE GROUP 110V	5700.0110KIT-50
31	R199906943	IMBUTO DOSATORE faustino	DOSING FUNNEL	5700.0025-ANB
32	R199906942	DISPLAY TOUCH SCREEN faustino	DISPLAY TOUCH SCREEN	4125700.1000
33	R899906576	ANTIVIBRANTE M5 X 17 + VITE FAUSTO/faustino	ANTIVIBRATION + SCREWS	6040.0066 + 6060.0016